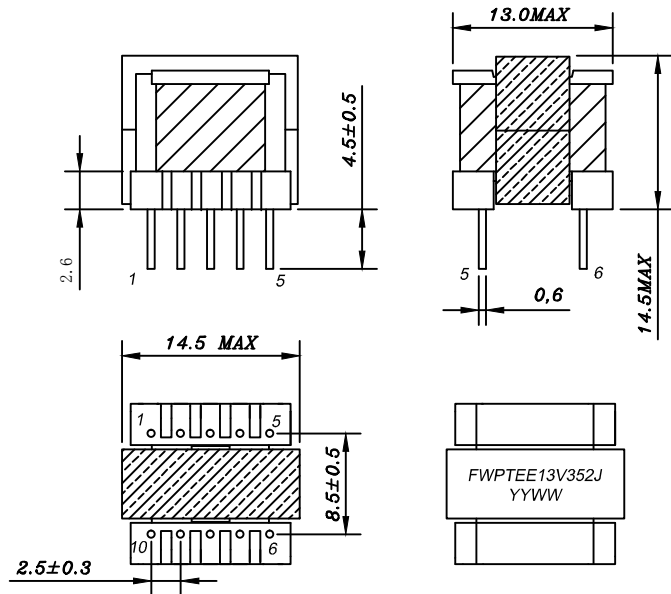


CUSTOMER TERMINAL	ROHS	Lead (Pb) -free
	YES	YES

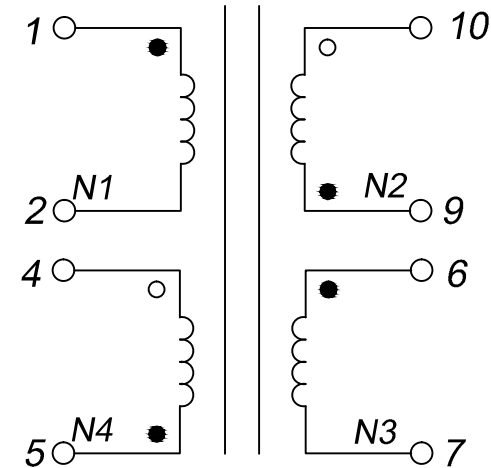


1. Mechanical Dimensions



Note: PIN3,8 cut off

2. Schematic Diagram



Note: N2, N3 use 1.5mm margin tape

3. Material List

Core: FW40-EE13

BOBBIN: FWB1305-J

Wire: 2UEW

Operating Temperature: -30 to 115°C

4. Electrical Specification

Inductance: $L(1-2) = 3.5\text{mH} \pm 5\%$ 1KHZ 0.25V

Hi-Pot: P-S AC 1.5KV 5mA 5S

P、S-CORE AC 1.0KV 5mA 5S

REV.	DATE	<p>Convention Placement</p>	DRW.	Drawing Title: TRANSFORMER	Part No:
0	00/00		CHK.		Customer P/N:
RoHS		www.ferriwo.com	APP.		Specification Sheet 1 of 1